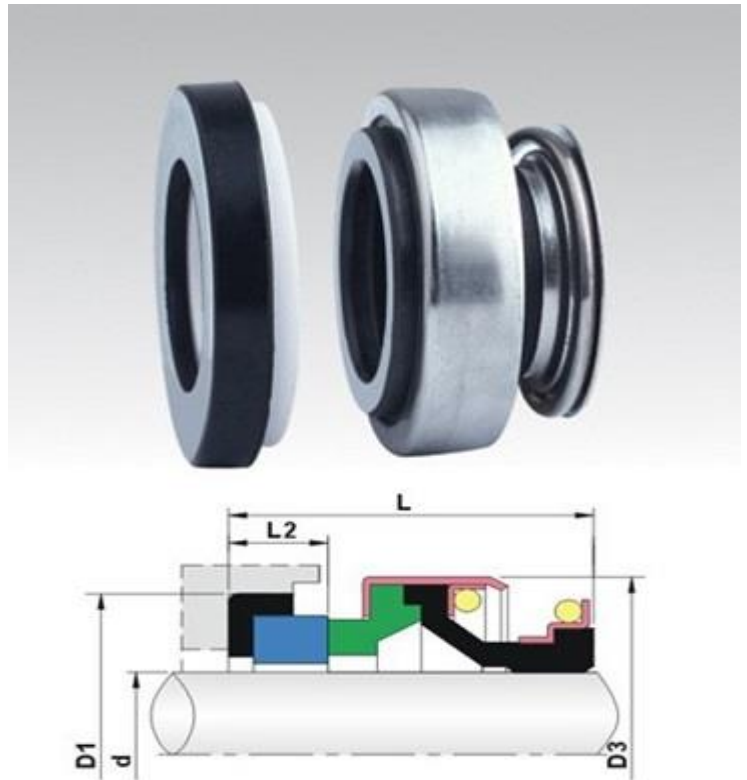


Elastomer Bellow Mechanical Seals

...SH-B01

- Operational Conditions:
Temperature: -20°C to + 120°C
Pressure: ≤0.6MPa
Speed: ≤10m/s
- Materials:
Stationary Ring: V1, Q2 Rotary
Ring: Q5, B, Q2 Secondary
Seal: V, P, E Spring and Metal
Parts: F
- Seat Types:
- Applications: Clean water.



Size (Metric)	d	D3	D1	L	L2	Size (Metric)	d	D3	D1	L	L2
6	6	18.0	18.0	14.0	4.0	19	19	39.0	42.0	21.0	8.0
8S	8	18.0	22.0	15.0	4.0	20	20	39.0	42.0	21.0	8.0
8M	8	20.0	22/26	15.0	4/5.5	20L	20	42.0	45.0	23.0	10.0
8L	8	24.0	26.0	15.0	5.5	22S	22	36.0	45.0	26.5	10.0
10	10	24.0	26.0	21.0	8.0	22L	22	42.0	45.0	23.0	10.0
11	11	24.0	26.0	21.0	8.0	23	23	47.0	50.0	23.5	10.0
12	12	24.0	25/26	21.0	8.0	24	24	47.0	50.0	23.5	10.0
13	13	24.0	26.0	19.5	5.5/8	25	25	42.0	50.0	23.5	10.0
13L	13	28.0	28.0	21.0	8.0	25L	25	47.0	50.0	23.5	10.0
13H	13	32.0	29.5	30.5	8.0	26	26	47.0	50.0	23.5	10.0
14	14	28.0	28/28.5	21.0	8.0	27	27	47.0	50.0	23.5	10.0
14L	14	32.0	29.5	21.0	8.0	28	28	54.0	57.0	25.0	10.0
15S	15	28.0	28.5/30	21.0	8.0	30	30	54.0	57.0	25.0	10.0
15M	15	32.0	30/29.5	21.0	8.0	32	32	54.0	57.0	25.0	10.0
15L	15	39.0	38.0	21.0	8.0	35	35	60.0	63.0	26.0	10.0
16S	16	28.0	29.5/30	21.0	8.0	38	38	65.0	68.0	30.0	12.0
16M	16	32.0	29.5	21.0	8.0	40	40	65.0	68.0	30.0	12.0
16L	16	39.0	38.0	21.0	8.0	45	45	70.0	73.0	32.0	12.0
16H	16	32.0	30.0	21.0	10.0	50	50	85.0	88.0	38.0	15.0
17	17	39.0	42.0	21.0	8.0	55	55	85.0	88.0	38.0	15.0
18	18	39.0	42.0	21.0	8.0	60	60	105.0	110.0	45.0	15.0

ООО «ФУДМАШ»

Юридический и почтовый адрес: 350067, РФ, Краснодарский край, г. Краснодар, ул. Душистая, дом 55, кв./оф. 5
Адрес склада: РФ, Краснодарский край, Динской район, пос. Южный, ул. Водозаборная, дом 58